

Installation and Operations Manual



Automated
Fuel Maintenance
System



MODEL FTI-2.8

FUEL TECHNOLOGIES INTERNATIONAL

OPERATIONS & MAINTENANCE

CONTENTS

Installation Notes.....	Page 3
Overview.....	Page 4
Identifying Parts.....	Page 5
Operating System.....	Page 6
Seven Day Time Clock Info.....	Page 6
Set the Current Time	Page 7
Set Start Time, Stop Time & Day of the Week Run Time.....	Page 8
Time Clock Examples	Page 8
How to Calculate Filtering Run Times.....	Page 8
How to Change the Filter.....	Page 9
How to Drain the Water Separator.....	Page 9
Replacement Filter List.....	Page 9
Cabinet Drawing.....	Page 10
Electrical Diagrams.....	Pages 11-13
Start Up Checklist.....	Page 14
Limited Warranty.....	Page 15

Installation Notes

1. FTI filtration system should operate on all fuel storage tanks. A qualified plumbing contractor and a qualified electrical contractor should complete all installations.
2. Wall mount or pedestal mount should be bolted into place.
3. 115/208-230V AC, 15 Amp. Single-phase power source must be available at system location.
4. Pipe plugs are installed in the supply and return line for shipping purposes only, and must be removed prior to installation.
5. **Holes** need to be added in cabinet for electrical, fuel supply and return lines.
6. All FTI models are factory tested using lightweight oil. Some of this fluid may remain in the system. It will not interfere with the performance of the system.
7. **Ball valves** shall be installed on the fuel **supply line** and **return line** to isolate the system for any required filter maintenance. (not included)
8. Supply line shall be installed at the sump end of the storage tank 1" from the bottom and plumbed to the fuel maintenance system. A **foot valve** shall be installed on **supply line** to keep system primed.
9. Return line shall be installed to return fuel to the opposite end of the storage tank. A **check valve** may be required on return line, on some installations to prevent back flow pressure.
10. Caution should be taken not to exceed the 15-ft. vertical suction lift capability of the fuel circulation pump.
11. Fuel Technologies Stabilizer and Biocide to be added to the existing fuel, and when additional fuel is added to storage tank.
12. A **priming tee** or other means of filling fuel supply line with fuel shall be installed.

DO NOT RUN LONGER THAN THREE MINUTES WITHOUT FLUIDS

1. On initial startup, if the system does not fill with fluid the pump may require priming.
2. To prime the pump, remove the filter. Fill filter with diesel fuel or light oil and replace. Restart the system.
3. If filling filter fails to prime pump, fill entire fuel line with fuel and restart.

INSTALLATION PRECAUTIONS:

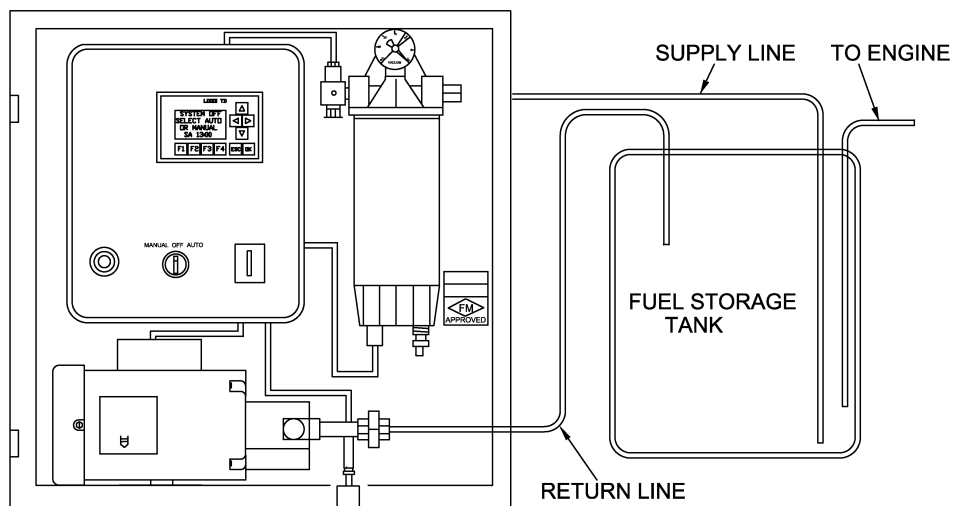
THE MODEL FTI-2.8 HAS NO PROTECTION AGAINST THERMAL EXPANSION OF THE FUEL LINES. IF THE FUEL LINES ARE INSTALLED WITHOUT PRESSURE RELIEF, DAMAGE MAY OCCUR TO THE PUMP, MOTOR OR FILTER. INSTALLER SHOULD PREVENT ANY CLOSED LOOP WITH THE FTI-2.8 SYSTEM IN THE MIDDLE.

FTI WILL NOT BE RESPONSIBLE FOR ANY DAMAGE DUE TO EXCESSIVE LINE PRESSURE CAUSED BY FUEL THERMAL EXPANSION.

Overview

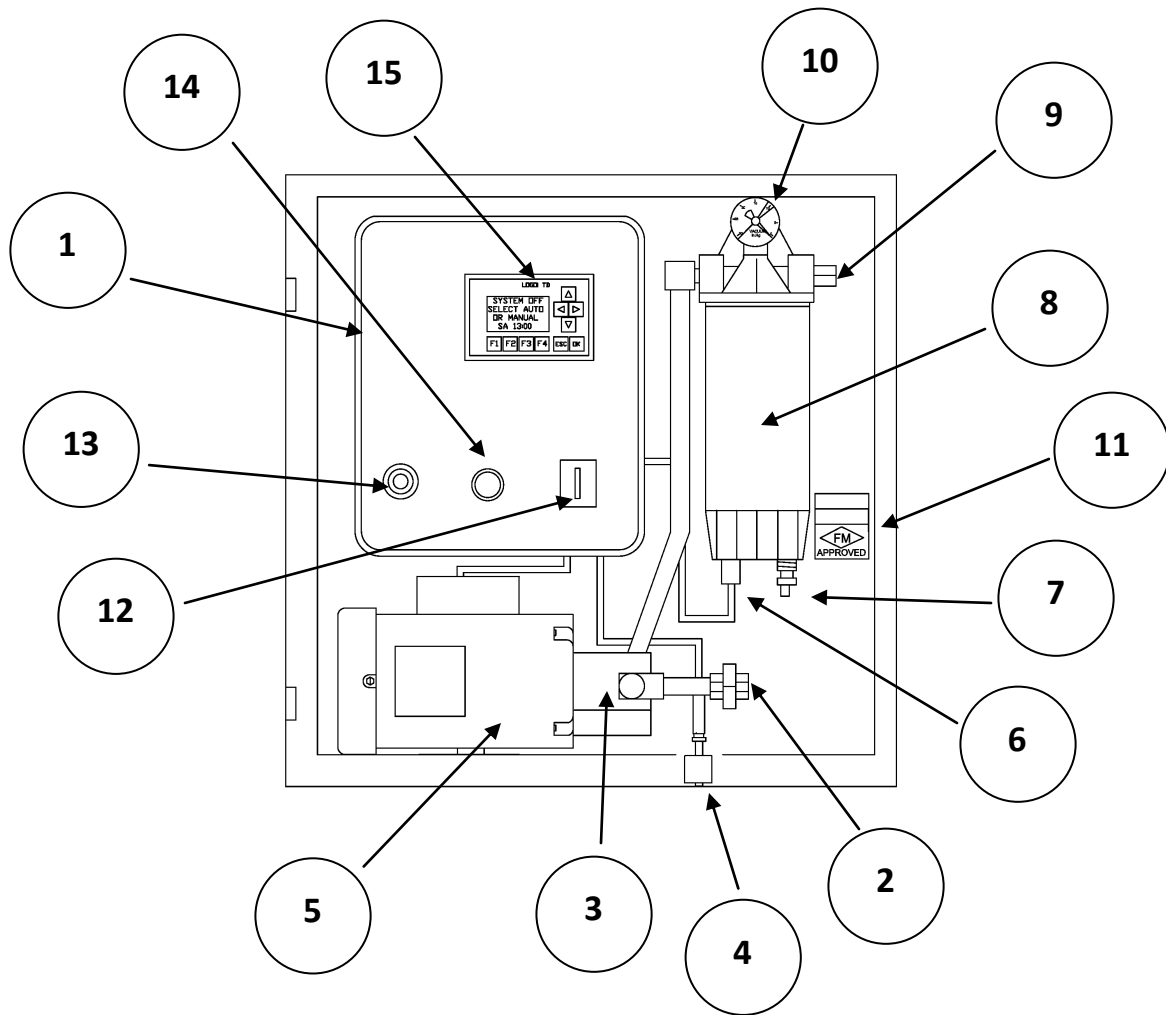
1. FTI-2.8 Fuel Maintenance System is designed for ease of operation. Due to its relatively small size and weight it can be installed in most locations easily.
2. How often you need to clean stored fuel will vary upon tank conditions and current fuel condition.
3. Your FTI system uses a two-stage, filtering and water removal process. It has a 7-day programmable PLC with memory backup. (memory backup will last approximately 80 hours without power.)
4. High vacuum alarm, leak detector alarm, motor overload alarm, and a filter high water alarm will automatically turn system off, and sound an audible alarm. A brief alarm description will appear on the touch screen.
5. A dry contact for general alarm notification (NO) is available in the control panel. The contact can be used for remote alarm status.
6. A dry contact to shut off the FTI system for any event is available. It is labeled "Generator on" "FTI system off"
7. Depending on the condition of the fuel to be maintained, you may initially be changing filters more frequently than expected. By monitoring the vacuum gauge the operator can determine when it is time to change the filter. (filter plugged factory set at 16 - 18 in.hg.).
8. As the fuel quality progressively improves, you will notice a dramatic drop in filter usage. In cases of extreme contamination, it is recommended that you have your fuel polished prior to initial use of your FTI system. The FTI system is designed to keep clean fuel clean. Continued use prevents the fuel from deteriorating again and maintains a healthier environment to protect the engine, the fuel, and the storage tank.

HOW IT WORKS



FTI-2.8

Identifying Parts



- | | |
|---|--|
| 1. Control Panel | 9. Fuel Supply Line Connection |
| 2. Fuel Return Line Connection (SS Union) | 10. Vacuum Switch Gauge |
| 3. Pump 2.8 GPM | 11. Model No., Serial No., FM Approved |
| 4. Leak Detector | 12. Lockable Disconnect Switch |
| 5. 1/3 HP Motor | 13. Alarm Horn |
| 6. Water Sensor Probe | 14. LED |
| 7. Water Drain | 15. Touch Screen |
| 8. Water Separator and 2 Micron Particulate | |

OPERATING SYSTEM

To **start or stop** system **manually**: Press F2 to start and F3 to stop.

To operate FTI Fuel Maintenance System **automatically**, set the clock, then set the “on “and “off “ times, per the programming and operating instructions in this manual. Press F1 to put system in auto mode. The system will run for the specified programmed time unless in alarm mode.

When alarm mode occurs, (horn starts beeping intermittently and the **LED** Lights up intermittently). There also will be a brief description on the touch screen.

The alarm description will tell the operator which alarm it is.

Check for one of 4 alarms on the touch screen:

1. LEAK DETECTED REPAIR LEAK (press F4 to reset)
2. DRAIN WATER IN FILTER BOWL (press F4 to reset)
3. FILTER PLUGGED CHANGE FILTER (press F4 to reset)
4. MOTOR OVERLOAD (press F4 to reset) & (press reset on motor overload)

To cancel alarm status, press the F4 button.

This will disable the motor/pump. Then do one of the following:

1. Repair leak, and remove fuel from bottom of cabinet. Restart system. (check for leaks)
2. Drain water in the filter bowl, and then restart system. (Check for leaks)
3. Replace the filter, and then restart system. (Check for leaks)
4. Push reset button on the motor overload inside the control panel. (Restart system)

SEVEN DAY TIME CLOCK INFO

Warning: There is a password required to change the system from ADMIN to OP. **There is no reason to change this setting.** If you do select “switch to OP” and press enter you will remove the capability to change the clock settings.

To change back to ADMIN: press down arrow > press ESCAPE > select LOGO Settings > ENTER > Select SETUP > Press ENTER, Switch to ADMIN Appears > ENTER > insert the password “LOGO” using the up arrow and the right arrow > when done press ENTER. The word CLOCK will now be visible above the “Switch to OP”

The seven-day time switch has three separate run settings available:

(TM_CLOCK D1) (TM_CLOCK D2) (TM_CLOCK D3)

The **(TM_CLOCK D1)**, **(TM_CLOCK D2)**, **(TM_CLOCK D3)**, are used to select the day of the week to run, and the on and off times for each day.

TM_CLOCK 1/2

D1=MTWTFSS ← Select The Days Of The Week

On1 = 00:00 ← Select The On Time

Off1 = 00:00 ← Select The Off Time

Days Of The Week

M = Monday

T = Tuesday

W = Wednesday

T = Thursday

F = Friday

S = Saturday

S = Sunday

SET THE CURRENT TIME

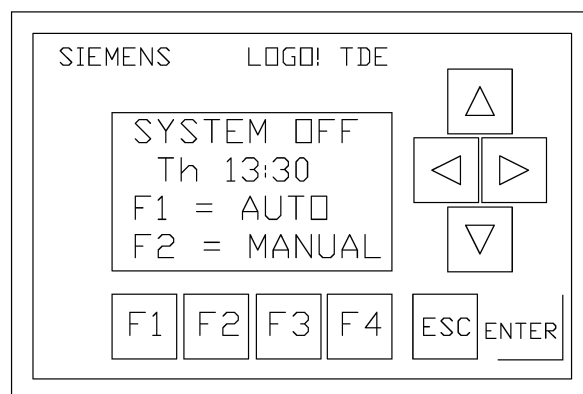
1. Press the **DOWN ARROW**.
2. Press **ESC**.
3. Move cursor to **LOGO! SETTINGS**, press **ENTER**.
4. Move cursor to **SETUP**, press **ENTER**.
5. Move cursor to **CLOCK**, press **ENTER**.
6. Move cursor to **SET CLOCK**, press **ENTER**.

The screen will read as follows:

SET CLOCK

WED. 12:00
2017-03-15

6. Press the right or left arrow button to move the blinking cursor to the first number to be adjusted. Press the up arrow button or the down arrow button to change the numbers for the correct time. Do this for the all the numbers.
5. The day of the week will automatically change with the correct date.
8. Press the **ENTER** button when finished.
9. Press the **ESC** button apx. 3 –5 times to return to the default screen.



1. F1=Sets system in Auto Mode, F2 = Manual On, F3 = Manual & Auto Off , F4 = Cancel Alarms
2. The arrow buttons are used to navigate up, down, left or right.
3. The ESC key moves between screens.
4. The ENTER button accepts programming changes.

Set Start Time, Stop Time & Day of the Week Run Time

1. Press the **down arrow**.
2. Press the **ESC**.
3. Move cursor to **LOGO! SETTINGS**, press **ENTER**.
4. Move cursor to **PROGRAM**, press **ENTER**.
5. Move cursor to **SET PARAMETER**, press **ENTER**.
6. Move cursor to **TM_CLOCK**, press **ENTER**.

TM_CLOCK 1/2	
D1=-----	(D 1= MTWTFSS)
On1=-----	
Off1=-----	

The screen above will appear

7. Press **ENTER** button, the blinking cursor is now on the first dash mark. (D1 = -----)
8. Push the **UP** arrow button to change the dash to a **M** if you want the system to run on Mondays.
9. Push the **RIGHT** arrow button to move cursor to other days of the week . Choose only the days you want your system to run. Dash (-) means it will not run.
10. With blinking cursor on the last day selection push the **RIGHT** arrow to move cursor to the first number for the **On** (run time) selection. (On1= - -: - -)
11. Push the **UP** arrow or the **DOWN** arrow to set the correct start time for the system to run. Continue with other numbers to set the **ON** time and the **OFF** time.
You can set any time between 00:00 and 23:59.
12. With blinking cursor on the last number of the **OFF** time press the **ENTER** button.
13. Press the **DOWN** arrow to change **TM_CLOCK D2**, **TM_CLOCK D3**, for additional settings.
If at any time you want to exit the setup screen keep pushing the **ESC** button until the default screen appears.

Time Clock Examples

1. In example 1 below, the system is set to run on every day from 5:30 AM to 7:40 AM. (TM_CLOCK D1)
2. In example 2, the system will run every Tuesday from 3:10 PM to 6:15 PM. (TM_CLOCK D2)
3. In example 3, the system will run every Saturday and Sunday from 8:30 PM to 11:45 PM.(TM_CLOCK D3)

Example 1

TM_CLOCK D1
D=MTWTFSS
On = 05:30
Off = 07:40

Example 2

TM_CLOCK D2
D= -T - - - -
On = 15:10
Off = 18:15

Example 3

TM_CLOCK D3
D= - - - - - SS
On = 20:30
Off = 23:45

How to calculate the time to clean 25% of the fuel weekly

1. Determine how many gallons are in the storage tank (Example: 1000 Gallons)
2. 25% of the tank = (250 gallons)
3. 2.8 gpm X 60 minutes = 168 gallons per hour
4. Divide 168 gallons into 250 gallons = 1.48 hours
5. Program PLC to run 1.5 hours

CHANGING the FILTER

1. To remove filter close ball valves at fuel supply and return lines, open drain valve on bottom of Filter and drain fuel. Turn counter clockwise and remove.
2. To install new filter/water separator:
 - A. Remove sight bowl from old filter by turning counter clockwise.
 - B. Clean sight bowl, and water sensor probe. Lubricate and install new gasket onto sight bowl.
 - C. Turn sight bowl clockwise on new filter and hand tighten.
 - D. Lubricate rubber seal on top of new filter and turn clockwise until contact is made, then tighten 1/2 to 3/4 of a turn more. **Do not over tighten.**
 - E. Restart system, check for leaks.

EVERY TIME SYSTEM IS STARTED CHECK VACUUM GAUGE.

VACUUM SHOULD NOT EXCEED 18 IN HG

DRAINING WATER FROM WATER SEPARATOR

To remove water, open the drain valve on bottom of sight bowl and allow collected water to drain. Close drain valve tightly as soon as fuel appears. The water separator should be drained on a regular basis, even if water is not present every time.

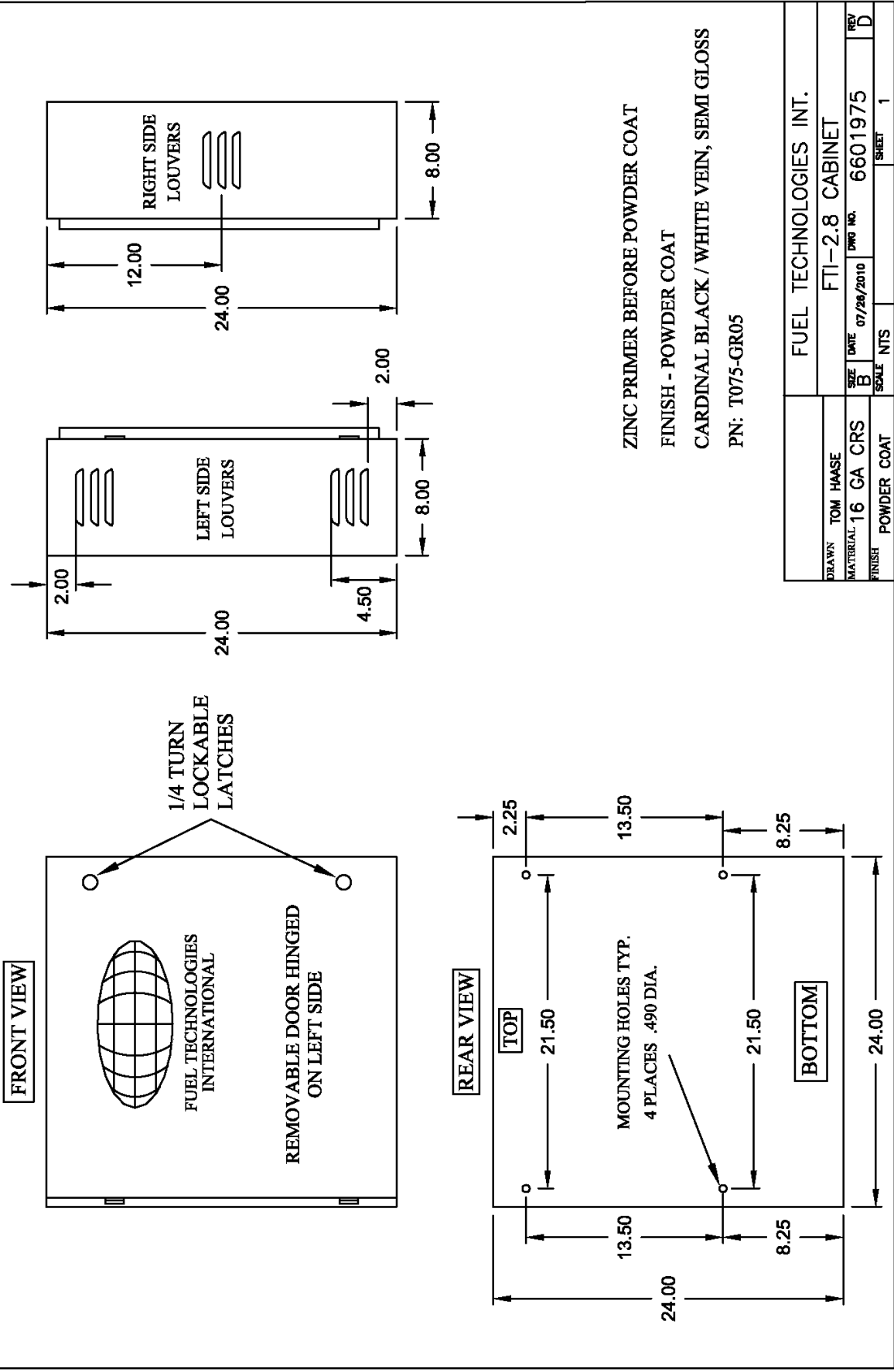
REPLACEMENT FILTER LIST

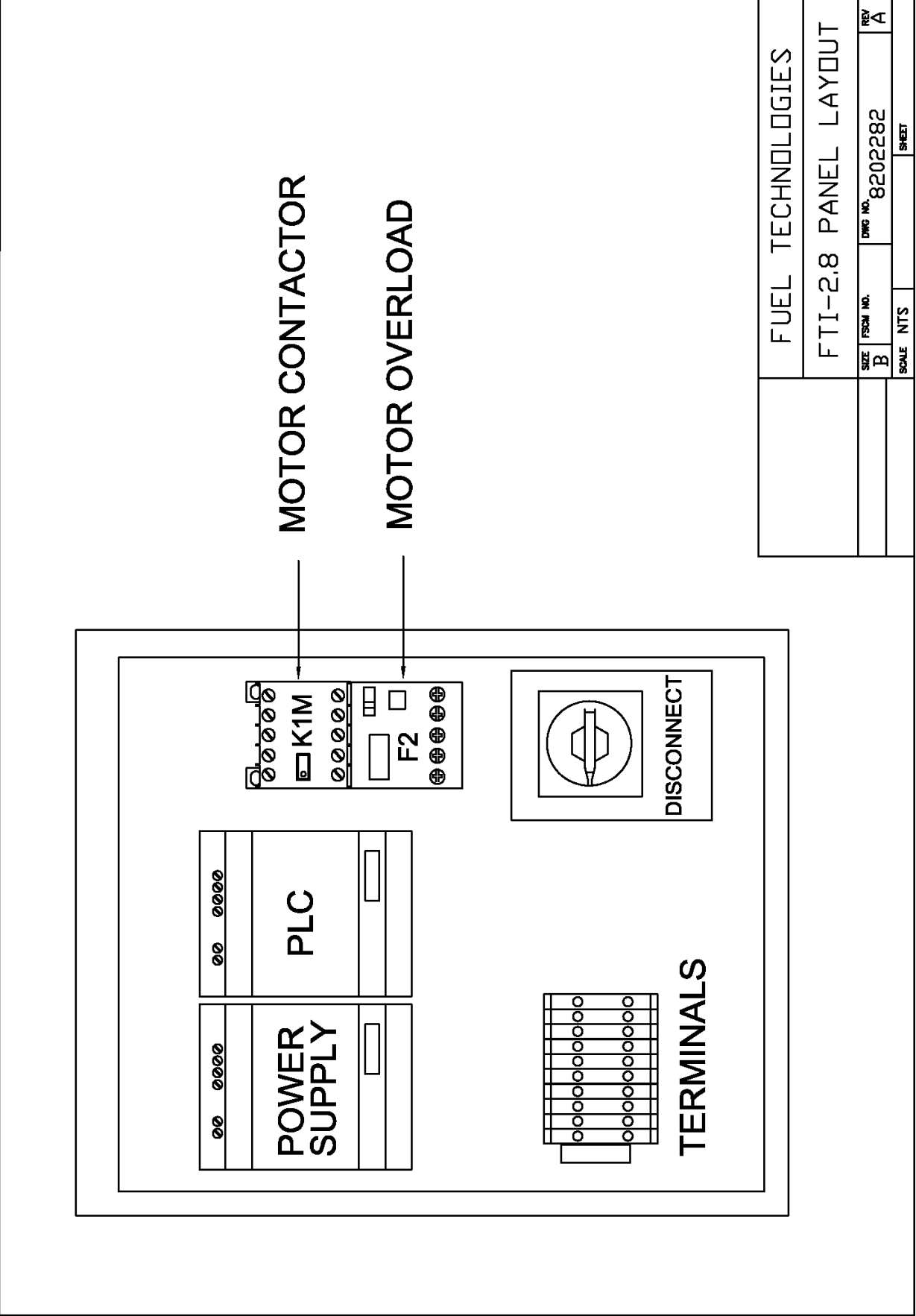
ORDER NO

DESCRIPTION

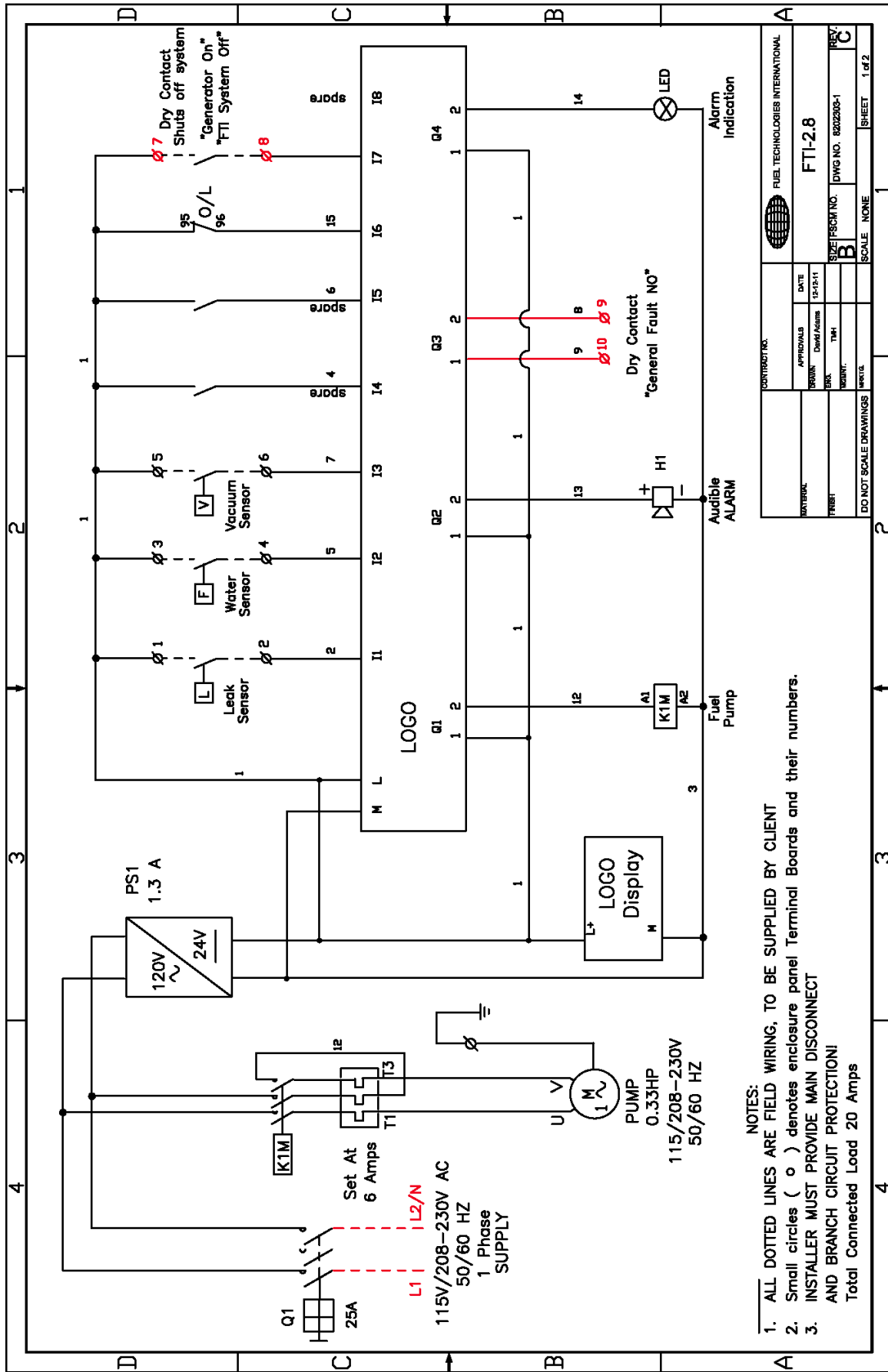
FL-S3207S

2 MICRON

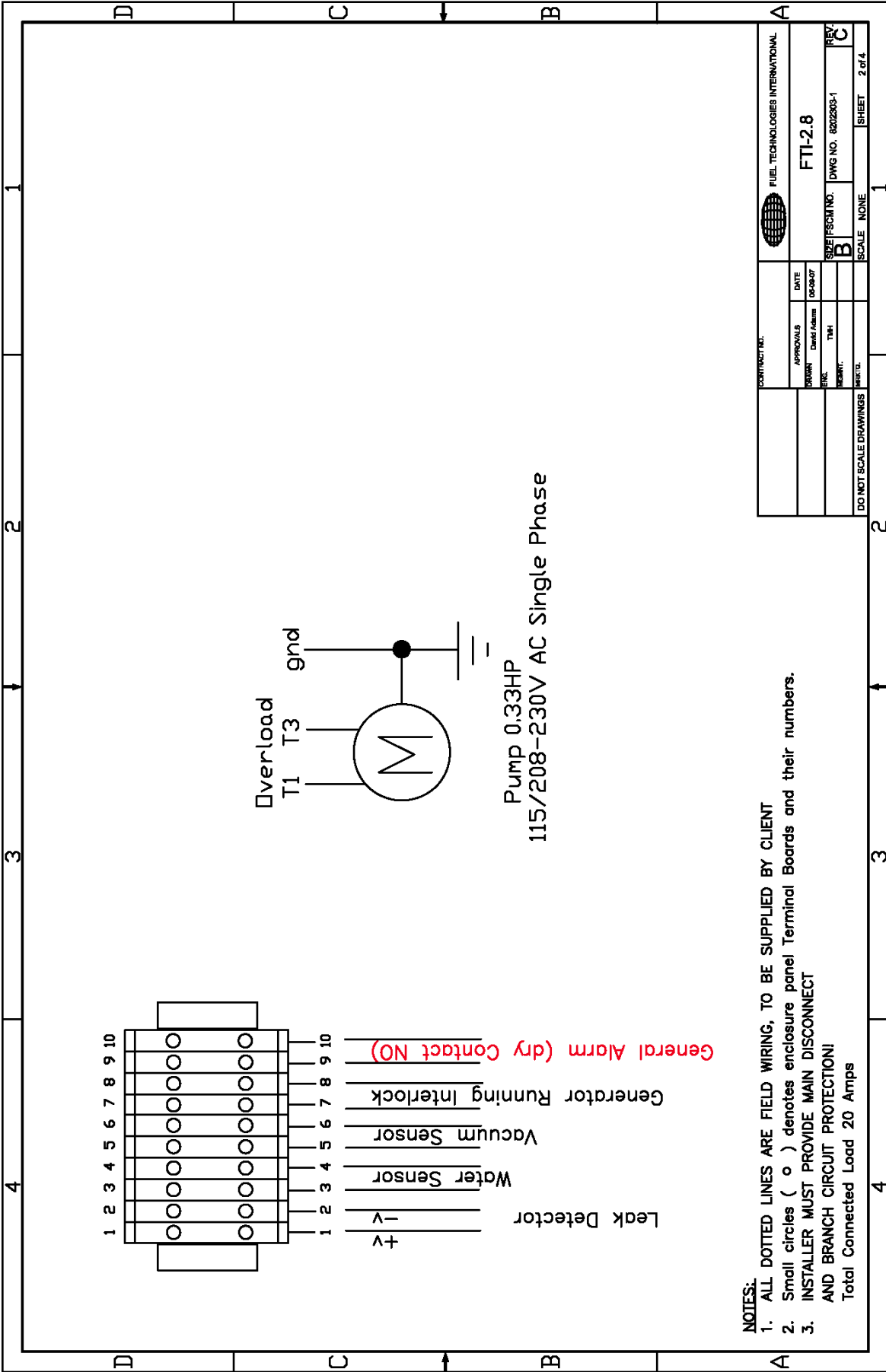




FUEL TECHNOLOGIES			
FTI-2.8 PANEL LAYOUT			
SIZE	FSOM NO.	DWG NO.	REV
B		8202282	A
SCALE	NTS	SHEET	



- NOTES:**
- ALL DOTTED LINES ARE FIELD WIRING, TO BE SUPPLIED BY CLIENT
 - Small circles (o) denotes enclosure panel Terminal Boards and their numbers.
 - INSTALLER MUST PROVIDE MAIN DISCONNECT AND BRANCH CIRCUIT PROTECTION!
Total Connected Load 20 Amps



NOTES:

1. ALL DOTTED LINES ARE FIELD WIRING, TO BE SUPPLIED BY CLIENT
2. Small circles (o) denotes enclosure panel Terminal Boards and their numbers.
3. INSTALLER MUST PROVIDE MAIN DISCONNECT AND BRANCH CIRCUIT PROTECTION!
Total Connected Load 20 Amps

CONTRACT NO.		DATE	
APPROVALS	DATE	DATE	
DRAWN	David Adams	06-08-07	
SCALE	1/4"		
REVISION			
DO NOT SCALE DRAWINGS		SCALE NONE	
REVISED		SHEET 2 of 4	
FUEL TECHNOLOGIES INTERNATIONAL		FTI-2.8	
SIZE/FSCM/NO.		DWG NO. 8022803-1	

FTI AUTOMATED FILTRATION SYSTEM START-UP CHECK LIST

Technician _____ Observer _____

1. System to be tested: FTI Automated Filtration System – **Model FTI-2.8**

2. FTI Filtration System Test Procedure

A. Program system to automatically filter for apx.10 minutes. Reset clock to within 1-5 minutes of start time.
(see operations manual for instructions) Place in AUTO mode
Wait for filtration to start.

- 1.) Check FILTER PUMP RUNNING status.

Notes: _____

B. Place the panel in the MANUAL mode.
Start manual filtration.

- 1.) Check FILTER PUMP RUNNING status.

Notes: _____

C. Simulate a filter high vacuum alarm at the supply ball valve. (not included from factory) Slowly close supply line ball valve until the vacuum alarm sounds. Check gauge needle position (16-18Hg.)

- 1.) Check filter high vacuum alarm. (16-18 in hg)

Notes: _____

D. Simulate a leak in cabinet. Lift leak detector. Alarm will sound.
Reset control panel.

- 1.) Check leak alarm.

Notes: _____

E. Simulate motor overload. With control panel door open and the system is running push the test button on the motor overload inside panel.

- 1.) Check motor is stopped and correct alarm description on the touch screen.

Notes: _____

F. Simulate water full in the collection bowl. Remove water sensor cable and short with wire between the two pins.

- 1.) Check Water alarm.

Notes: _____

TEST COMPLETE

LIMITED WARRANTY

FUEL TECHNOLOGIES INTERNATIONAL LLC (FTI) makes every effort to assure that its products meet high quality and durability standards, and we expressly warrant the original consumer/purchaser of our products that each product is free from defects in materials and workmanship. Our expressed warranty is subject to the following terms and conditions:

1. The term of our warranty is one year from the date of purchase. A warranty claim received by us after one year from the date of purchase will not be honored even if it is claimed that the defect occurred prior to one year from the date of purchase.
2. Our warranty does not cover defects due, directly or indirectly, to misuse, abuse, negligence of others, repairs or alterations done outside of our facilities, or lack of maintenance.
3. Our liability for breach of our express warranty is limited to the repair or replacement of the product , at our cost.
4. We are not liable for general, special, consequential, incidental or contingent damages resulting, directly or indirectly, from the purchase or use of our products.

WE DISCLAIM ALL WARRANTIES OF MERCHANTABILITY AND FITNESS FOR ANY PURPOSE OF OUR PRODUCTS.

To make a claim under this warranty, call our Customer Service Representative at 1-805-925-0531. We will ask you to advise us of our Distributor's name and address, the date of purchase, model number, and a detailed explanation of the problem you are experiencing. The Customer Service Representative will arrange for a Field Engineer to inspect your system. If our inspection discloses a defect covered by our limited warranty, we will either repair or replace the defective parts of products at our election, and at our cost. If upon inspection, our Engineer determines there is not defect or that the damage to the system resulted from causes not within the scope of our limited warranty, then you must bear the cost of repair or replacement of damaged parts. For service, please contact your local Distributor.

For your records

Model No. _____ Date of Purchase: _____